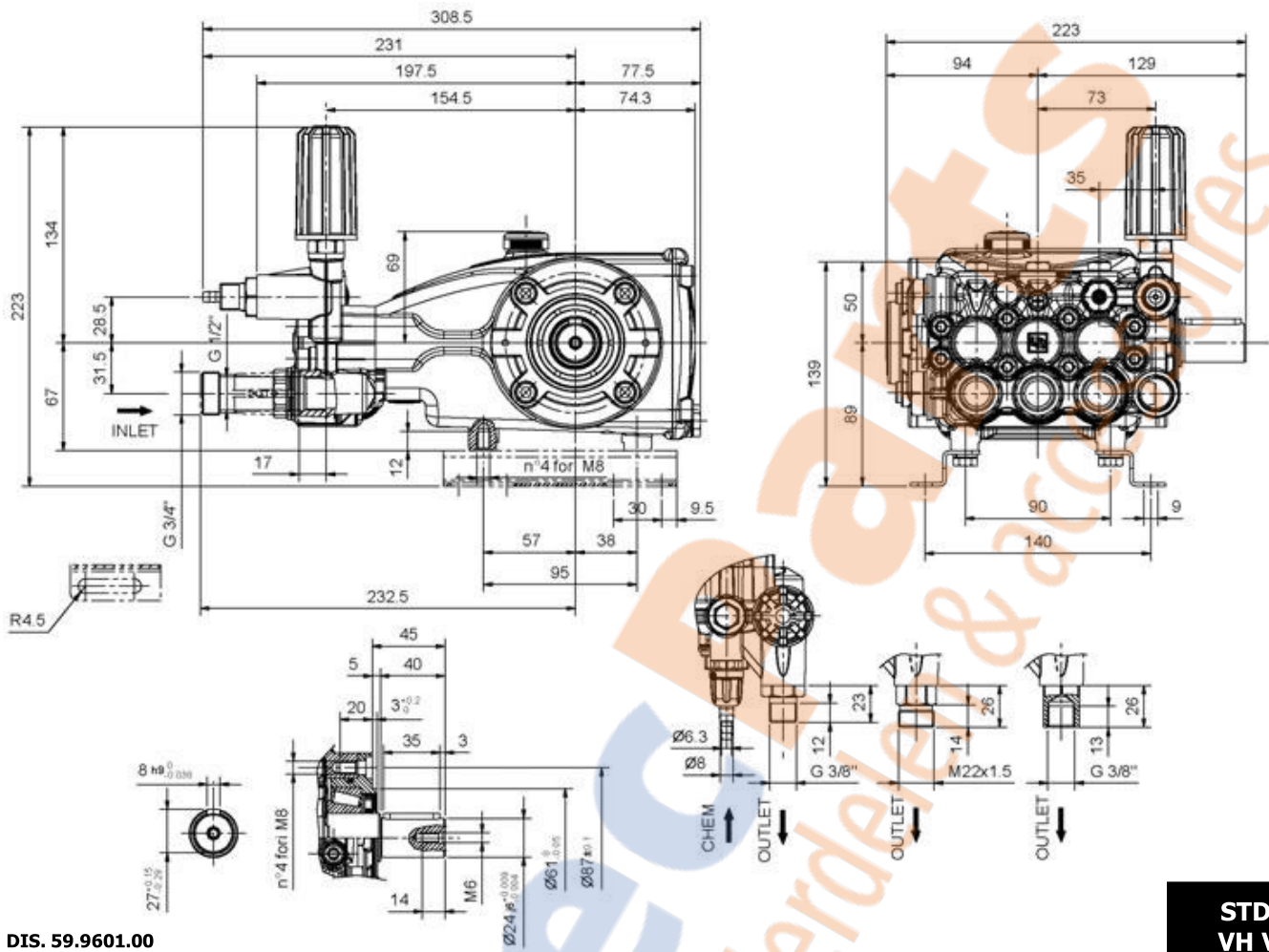
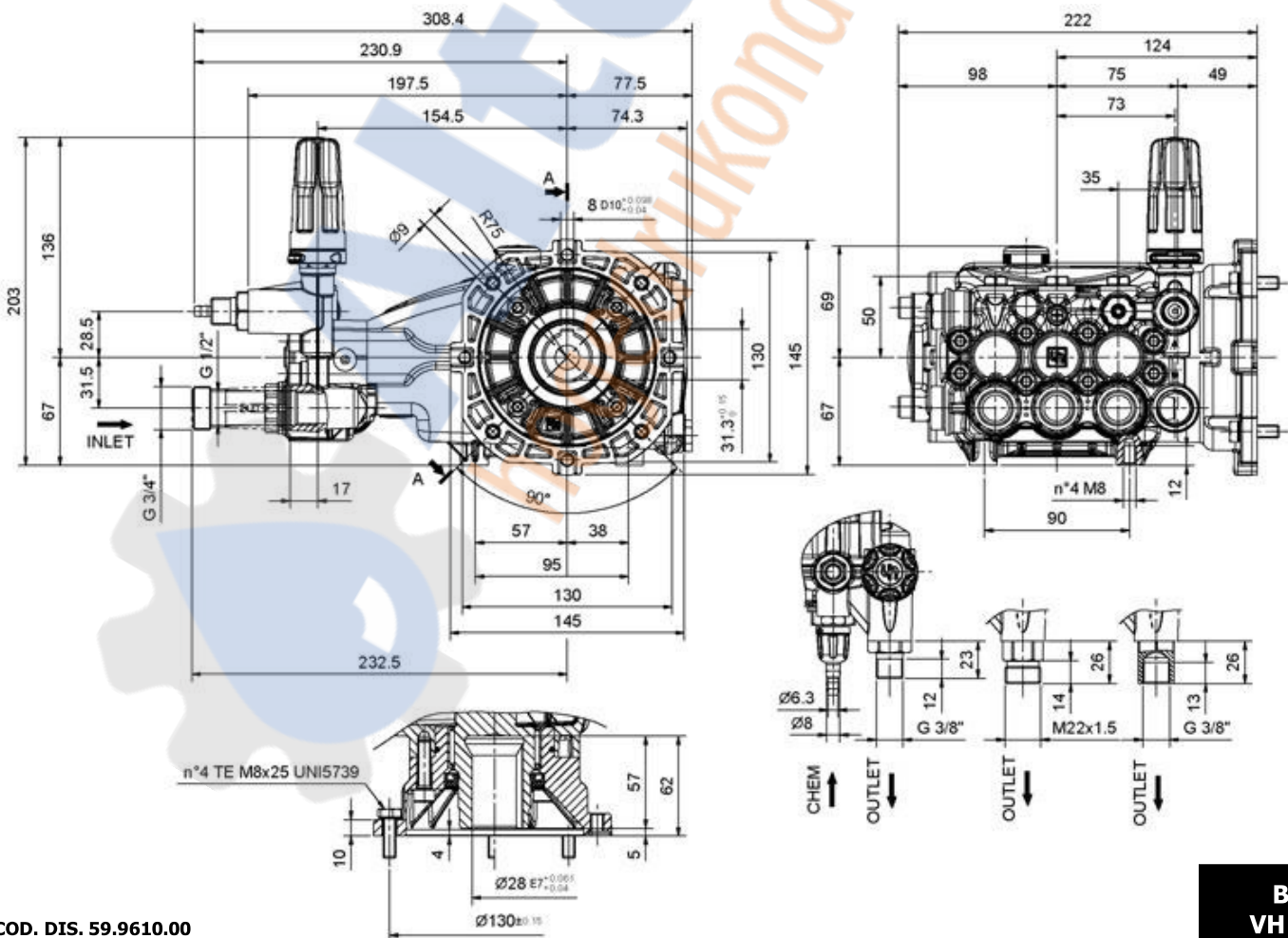


**DIMENSIONI D'INGOMBRO – OVERALL DIMENSIONS – DIMENSIONS D'ENCOMBREMENT
RAUMBEDARF – DIMENSIONES TOTALES – DIMENSÕES**



COD. DIS. 59.9601.00

**STD. - DX
VH VALVE**



COD. DIS. 59.9610.00

**B - DX
VH VALVE**